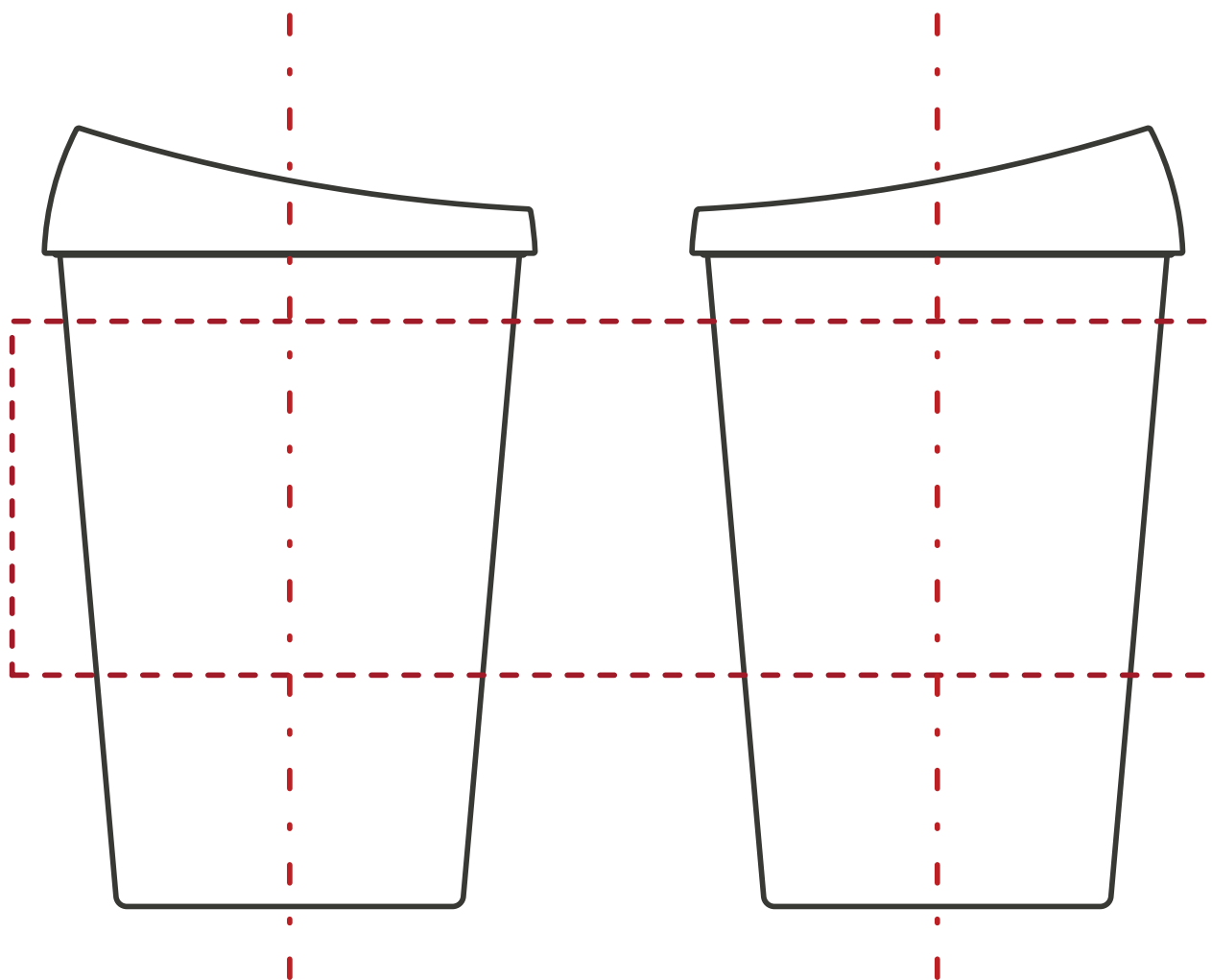


Skala 3:4



Observe that for the colors of the embroidery, PANTONE® is matched to closest thread color. We can therefore not guarantee exact PMS color on embroidery.

This proof only illustrates the placement and proportions of the marking and should be considered as an indication of the final product. We take no responsibility for errors not corrected.

